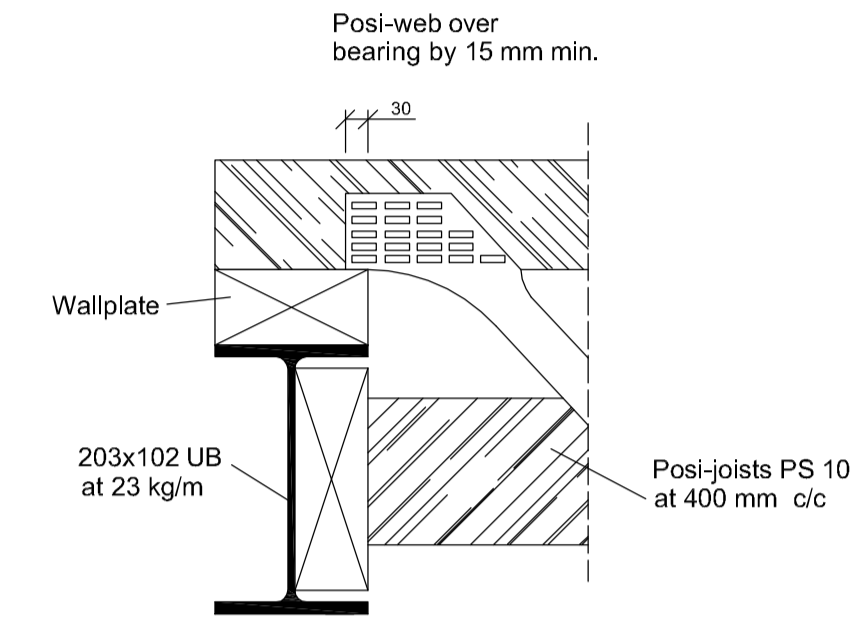
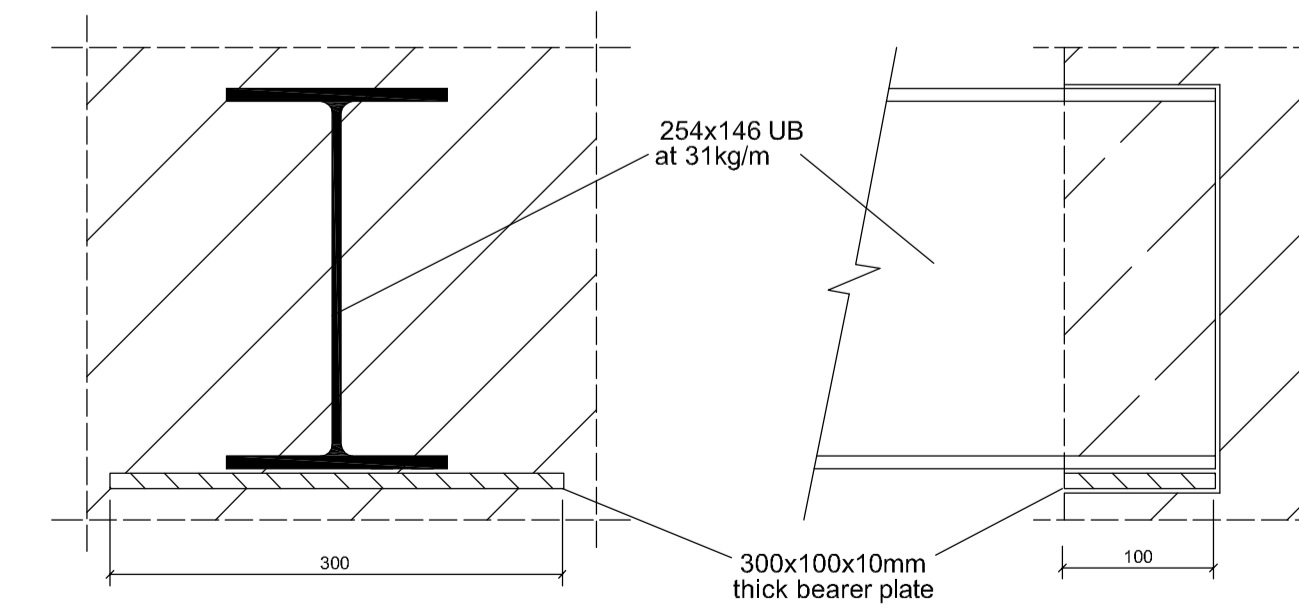
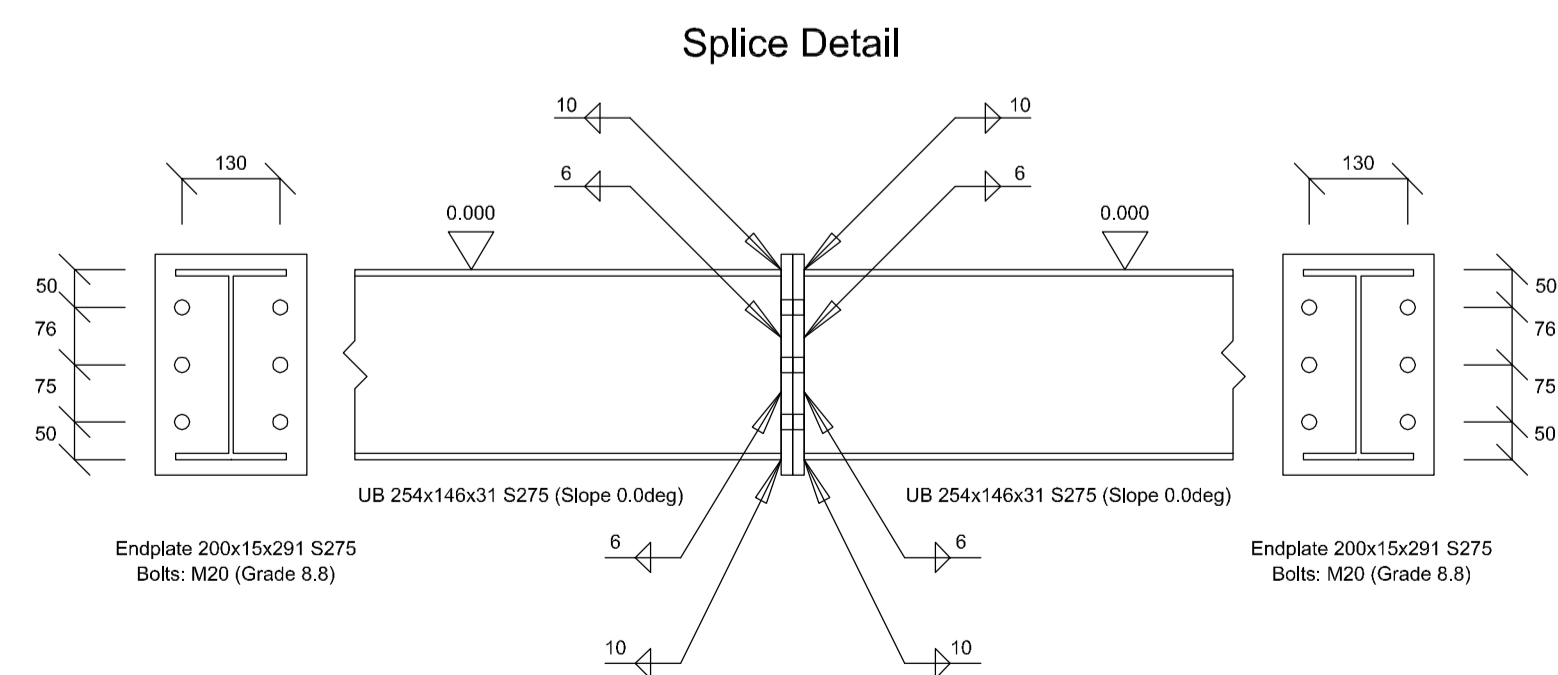


ROOF PLAN



CONNECTION DETAIL - POSI - JOIST TO U.B.



STEEL U.B. END BEARING DETAIL

Project: Conversion of Church Hall to Form Two no. Houses and Retail Shop A1 with Flat over.

Scale:	1:50, 1:10, 1:5	Dwg. no:	Sheet 6 of 7	Ref. no:	A00
Drawn by:	P.K.	Date Drawn:	June-2006		